

CTCDRH62BF Series

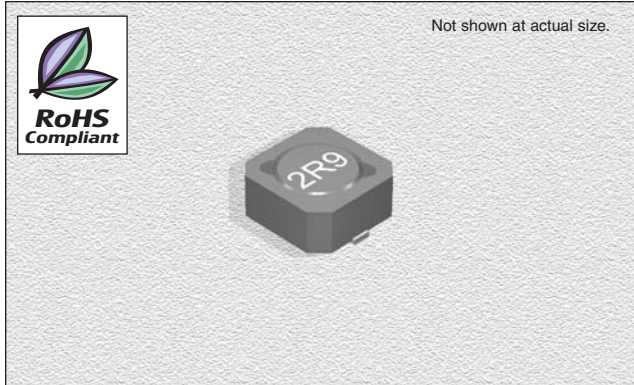
From 2.9 μH to 330 μH

SPECIFICATIONS

Part numbers indicate available tolerance.

M = $\pm 20\%$, N = $\pm 30\%$

*Inductance drop = 25% typ. at IDC



Part Number	Inductance (μH)	L Test Freq.	DCR Max. (Ω)	*IDC Min. (A)
CTCDRH62BF-2R9N	2.9	7.96MHz	.068	1.94
CTCDRH62BF-3R3N	3.3	7.96MHz	.075	1.80
CTCDRH62BF-4R0N	4.0	7.96MHz	.080	1.63
CTCDRH62BF-4R7N	4.7	7.96MHz	.090	1.55
CTCDRH62BF-5R5N	5.5	7.96MHz	.096	1.40
CTCDRH62BF-7R1N	7.1	7.96MHz	.110	1.22
CTCDRH62BF-100M	10	1.0kHz	.150	1.10
CTCDRH62BF-120M	12	1.0kHz	.200	1.00
CTCDRH62BF-150M	15	1.0kHz	.230	0.90
CTCDRH62BF-180M	18	1.0kHz	.270	0.80
CTCDRH62BF-220M	22	1.0kHz	.340	0.74
CTCDRH62BF-270M	27	1.0kHz	.380	0.66
CTCDRH62BF-330M	33	1.0kHz	.450	0.59
CTCDRH62BF-390M	39	1.0kHz	.490	0.54
CTCDRH62BF-470M	47	1.0kHz	.690	0.50
CTCDRH62BF-560M	56	1.0kHz	.780	0.46
CTCDRH62BF-680M	68	1.0kHz	1.07	0.42
CTCDRH62BF-820M	82	1.0kHz	1.21	0.38
CTCDRH62BF-101M	100	1.0kHz	1.39	0.34
CTCDRH62BF-121M	120	1.0kHz	1.90	0.31
CTCDRH62BF-151M	150	1.0kHz	2.18	0.28
CTCDRH62BF-181M	180	1.0kHz	2.77	0.26
CTCDRH62BF-221M	220	1.0kHz	3.12	0.23
CTCDRH62BF-271M	270	1.0kHz	4.38	0.22
CTCDRH62BF-331M	330	1.0kHz	4.94	0.19

CHARACTERISTICS

Description: SMD (shielded) power inductor

Applications: Power supplies for VTR, OA equipment, LCD televisions, PC notebooks, portable communication equipment, DC/DC converters, etc.

Operating Temperature: -40°C to $+85^{\circ}\text{C}$

Inductance Tolerance: $\pm 20\%$, $\pm 30\%$

Testing: Tested on a HP4285A at the specified frequency

Packaging: Tape & Reel

Marking: Parts are marked with inductance code

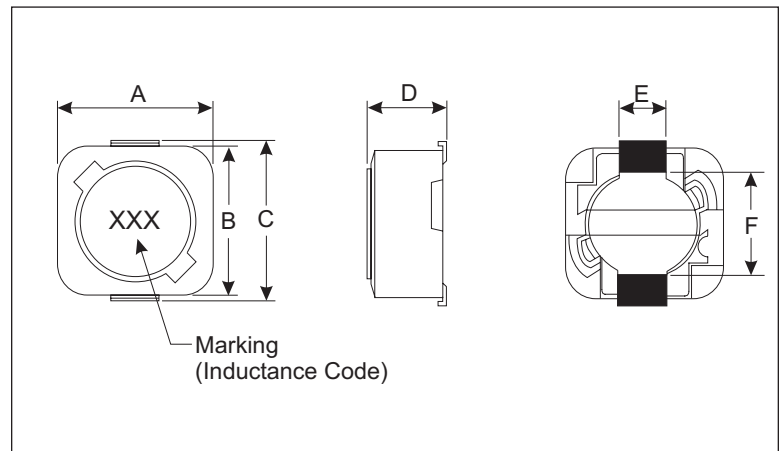
Miscellaneous: RoHS Compliant

Additional Information: Additional electrical & physical information available upon request

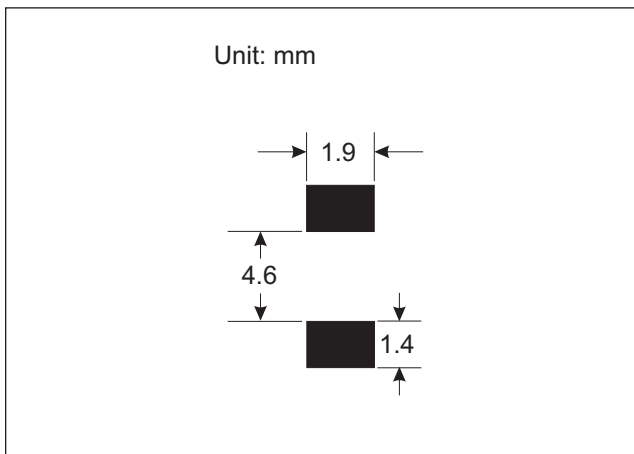
Samples available. See website for ordering information.

PHYSICAL DIMENSIONS

Size	A	B	C	D Max.	E	F
mm	6.2 \pm 0.3	5.9 \pm 0.3	6.6 \pm 0.3	3.0	1.5 \pm 0.2	4.6
inches	0.24 \pm 0.01	0.23 \pm 0.01	0.26 \pm 0.01	0.12	0.059 \pm 0.008	0.18



PAD LAYOUT



01.17.07